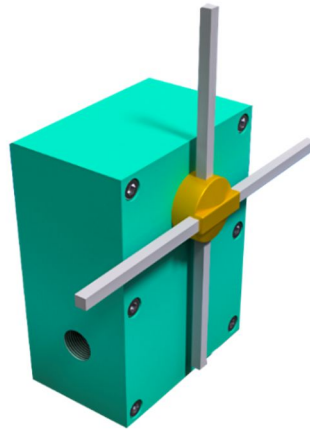




di Teresa Cereda

BOX 0 B

Explosion proof execution position limit switch





di Teresa Cereda

DESCRIPTION

This sturdy and reliable position limit switch for auxiliary control, designed for the heaviest applications, is the result of Ariet's experience in the industrial components market suitable for operating in classified areas for over 40 years. Housing, of exceptional strength and available in two or four contacts, it is built in a special aluminum alloy with a low copper and magnesium content of compact dimensions to guarantee reduced dimensions

CHARACTERISTICS OF ELECTRICAL COMPONENTS

Compliance with standards: CEI EN 60947-1, CEI EN 60947-5-1, CEI EN 60529, CEI EN 60204-1

Certifications: CE

Head: metallic (in zamak)

Ambient temperature: Operation $-50^{\circ}\text{C} + 55^{\circ}\text{C}$

Insulation category: Class I according to IEC 536

Attack speed: up to 3 m / s

TECHNICAL CHARACTERISTICS OF CONTACTS

Certifications: CE, CSA, UL, IMQ, UTE, VDE, ASE.

Rated thermal current: 10A according to CEI EN 60947-5-1

Rated insulation voltage: 300V ~ (CEI EN 60947-5-1)

Ambient temperature: Storage $-40^{\circ}\text{C} + 55^{\circ}\text{C}$

Mechanical durability: 10,000,000 operations (107 cycles)

Operating frequency: 50,60 maneuvers per minute (up to 1 Hz)

Terminal identification: According to CENELEC EN 50013

Tightening capacity: 1x2.5mm² or 2x1.5mm²

Quick release silver contacts

Maximum operating voltage 500V ~

Nominal intensity 16A at 250V ~

Screw connections (standard) or FASTON

OPTIONS: Housing in cast iron or in AISI 316





di Teresa Cereda

CABLE ENTRIES

Up to four cable entries are possible, the following threads are available:

Conic:

½ "• 1" UNI 6125 GK

½ "1" NPT

Cylindrical:

M20 • 32 x 1.5 ISO 965/1 and ISO 965/3 middle class

½ "• 1" UNI / ISO228

CERTIFICATION

Compliance with ATEX Directive 2014/34 / EU

EN 60079-0 Explosive atmospheres. Equipment general requirements

EN 60079-1 Explosive atmospheres. Equipment protection by flameproof enclosures "d"

EN 60079-31 Explosive atmospheres. Equipment dust ignition protection by enclosure "t"

Compliance with the IECEx certification scheme

EN 60079-0 Explosive atmospheres. Equipment general requirements

EN 60079-1 Explosive atmospheres. Equipment protection by flameproof enclosures "d"

EN 60079-31 Explosive atmospheres. Equipment dust ignition protection by enclosure "t"

Certificates:

ATEX: INERIS 11ATEX0057X

IECEX: IECEX INE 11.0027X

Protection modes

Exd IIB T4 / T6 Gb

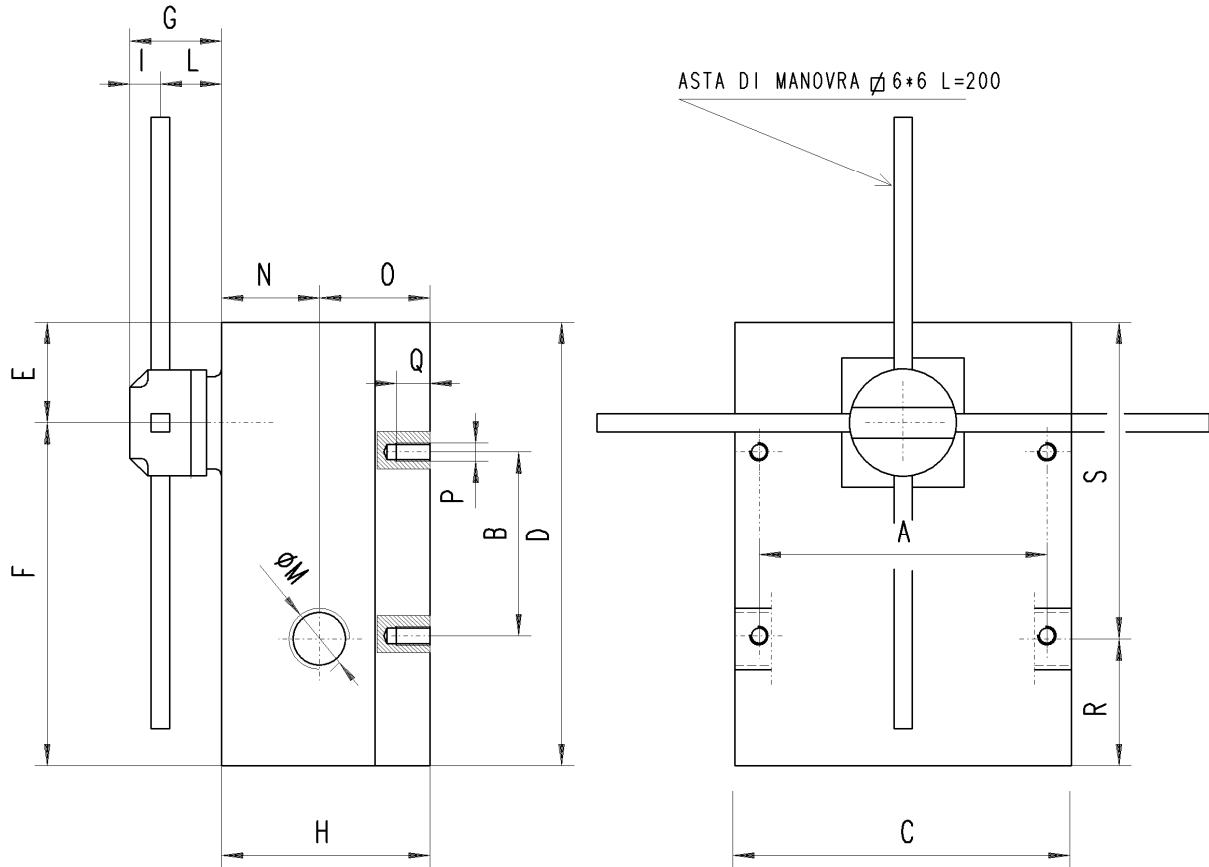
Exd IIC T4 / T6 Gb

Extb IIIC Db IP 66 T135 ° C / T85 ° C



IECEX : IECEX INE 11.0027X



DIMENSIONS



TYPE TIPO	A	B	C	D	E	F	G	H	I	L	M	N	O	P	Q	R	S
BOX0/B [mm]	94	64	110	145	33	112	30	69	10	20	M20*1.5	32	36	M6	12	40	105

Product quality assurance: INERIS 05 ATEX Q708   INERIS FR/INE/QAR11.0005/07

COMMERCIAL CODE:

BOX 0B opens a contact at 90° - *a 90° apre un contatto*

BOX 0B2 opens a contact at 90° / opens a second contact at 180° - *a 90° apre un contatto / a 180° apre un secondo contatto*