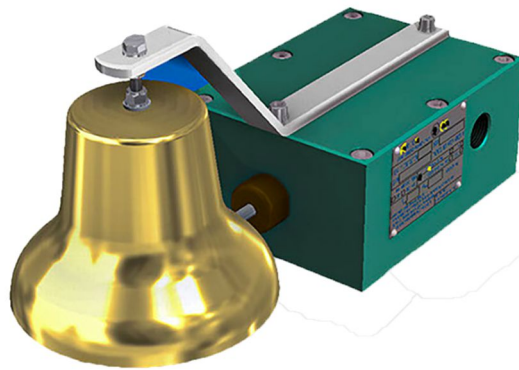




di Teresa Cereda

BOX 0 S

Acoustic alarm Explosion Proof execution





di Teresa Cereda

DESCRIPTION

This robust and reliable acoustic warning device, designed for the most demanding uses, was born from the experience of Ariet who has been operating in the market for industrial components suitable for operating in classified areas for over 40 years.

Case of exceptional strength is built in a special aluminum alloy with low copper and magnesium content of compact dimensions to ensure reduced dimensions



CHARACTERISTICS OF ELECTRICAL COMPONENTS

Ambient temperature: Operation $-50^{\circ}\text{C} + 55^{\circ}\text{C}$

Insulation category: Class I according to IEC 536

Available voltages: 24, 48, 110 V c. to.

Sound pressure level: 95 dB

OPTIONS: Cast iron or AISI 316 case

CABLE ENTRIES

The possible cable entries are up to three, the achievable threads are the following:

Conic:

$\frac{1}{2}$ " • $\frac{3}{4}$ " UNI 6125 Gk (only for ATEX certification)

$\frac{1}{2}$ " • $\frac{3}{4}$ " NPT

cylindrical:

M20 • 25 x 1.5 ISO 965/1 and ISO 965/3 medium class

$\frac{1}{2}$ " • $\frac{3}{4}$ " UNI / ISO228



di Teresa Cereda

CERTIFICATION

Conformity to ATEX Directive 2014/34 / UE

EN 60079-0 Explosive atmospheres. Equipment general requirements

EN 60079-1 Explosive atmospheres. Equipment protection by flameproof enclosures "d"

EN 60079-31 Explosive atmospheres. Equipment dust ignition protection by enclosure "t"

Conformity to the IECEx certification scheme

EN 60079-0 Explosive atmospheres. Equipment general requirements

EN 60079-1 Explosive atmospheres. Equipment protection by flameproof enclosures "d"

EN 60079-31 Explosive atmospheres. Equipment dust ignition protection by enclosure "t"

Certificates:

ATEX: INERIS 11ATEX0057X

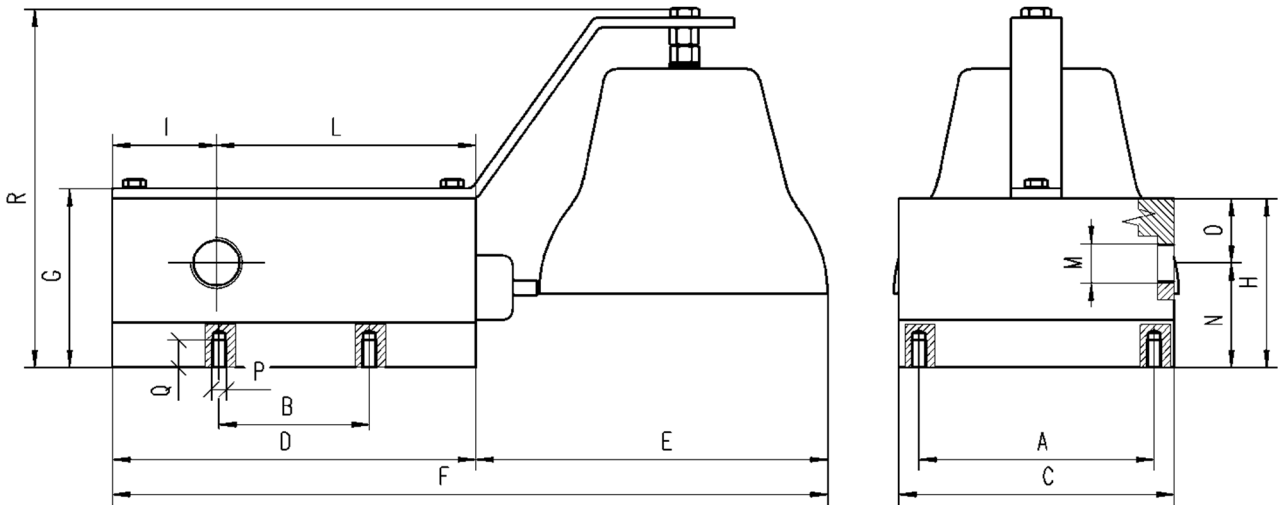
IECEX: IECEX INE 11.0027X

Ways of protection

Exd IIB T4 / T6 Gb

Exd IIC T4 / T6 Gb







DIMENSION

TYPE TIPO	A	B	C	D	E	F	G	H	I	L	M	N	O	P	Q	R
BOX 0/S [mm]	94	60	110	140	145	285	72	68	41.5	103.5	M20*1.5	42	24	M6	12	145

COMPONENT Componente	VOLTAGE	CURRENT	FREQUENCY
	Max. Tensione massima	Max. Corrente massima	Frequenza
	[V]	[A]	[Hz]
Acoustic signal	24	2.1	50
	48	0.9	50
	48	1	60
Segnalatore acustico	110	0.4	50
	110	0.5	60

Product quality assurance: INERIS 05 ATEX Q708   INERIS FR/INE/QAR11.0005/07